

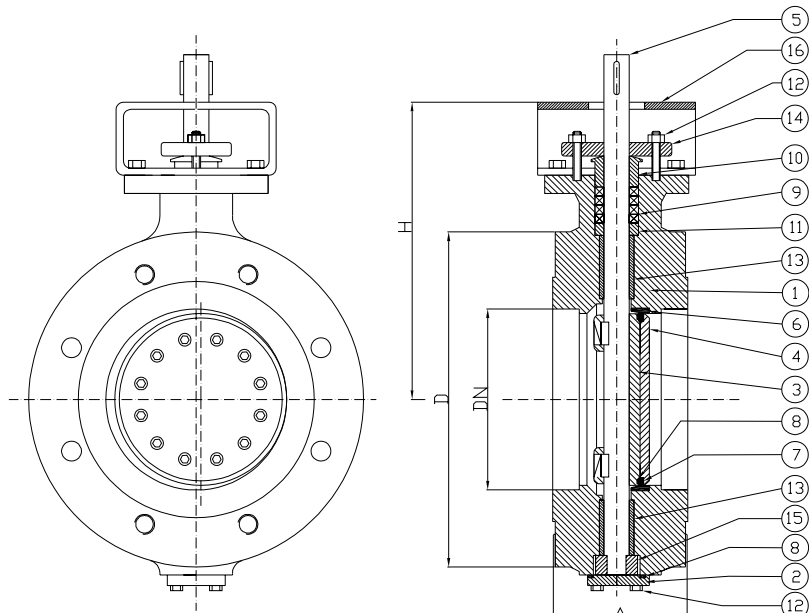
# Triple Offset Butterfly Valve

PN 25    DN 80 - DN 1000

Flanged PN 25 or PN 16 or PN 10



Fig. 142F-542F



## Standard features:

- Design            EN 12516  
                          EN 593
- Face to face        ISO 5752 series 13  
                          EN 558-1 series 13  
                          BS 2080 series 13
- Flanges             EN 1092-1/21/B1
- Materials            EN 10213  
                          EN 10025 / EN 10028  
                          EN 1503
- Bolts and nuts      EN 1515-1
- Welding overlay    AD-M HP 0
- Testing              EN 12266  
                          EN 593
- Marking             EN 19
- Certificates        EN 10204

## Optional versions:

- AD 2000 – A4
- TRD 110
- ATEX compliant
- TA-Luft
- ISO 15848
- With special devices