

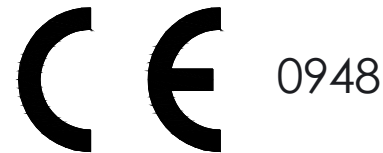
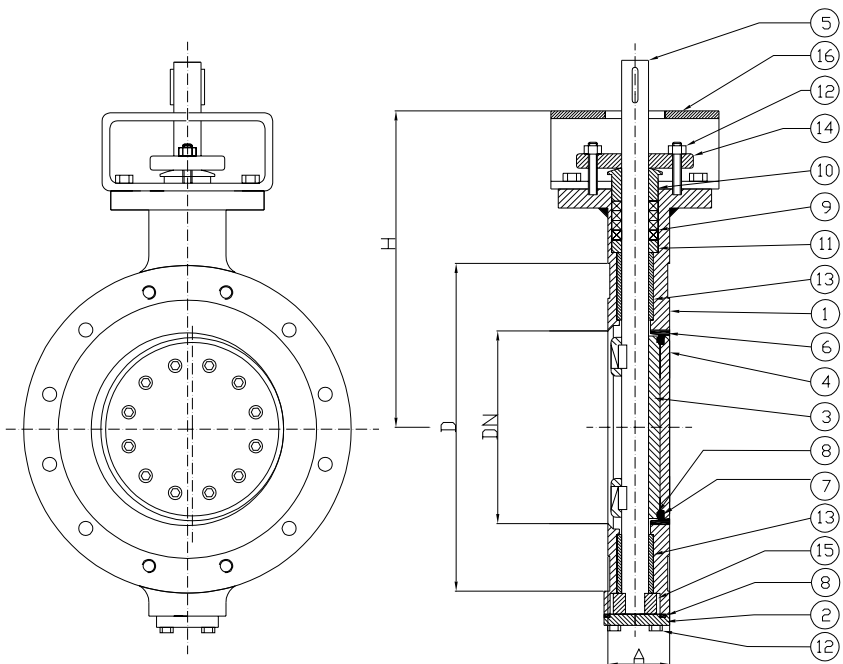
Triple Offset Butterfly Valve

Class 150 NPS 3" - NPS 40"

Lug - single flange type



Fig. 143L-543L



Standard features:

- Design
 - API 609
 - EN 12516
 - EN 593 (Fig. 3b)
- Face to face
 - API 609 CL 150
- Materials
 - ASME B 16.34
 - EN 1503
- Bolts and nuts
 - EN 1515-1
- Welding overlay
 - AD-M HP 0
- Testing
 - EN 12266
 - API 598
- Marking
 - EN 19
- Certificates
 - EN 10204

Optional versions:

- AD 2000 – A4
- TRD 110
- ATEX compliant
- TA-Luft
- ISO 15848
- With special devices
- All tapped holes (EN 593 Fig. 3d)
- Lightweight lug type (EN 593 Fig. 3a or 3c)