

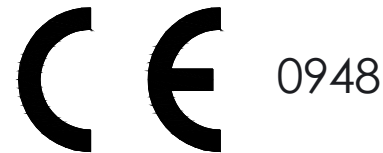
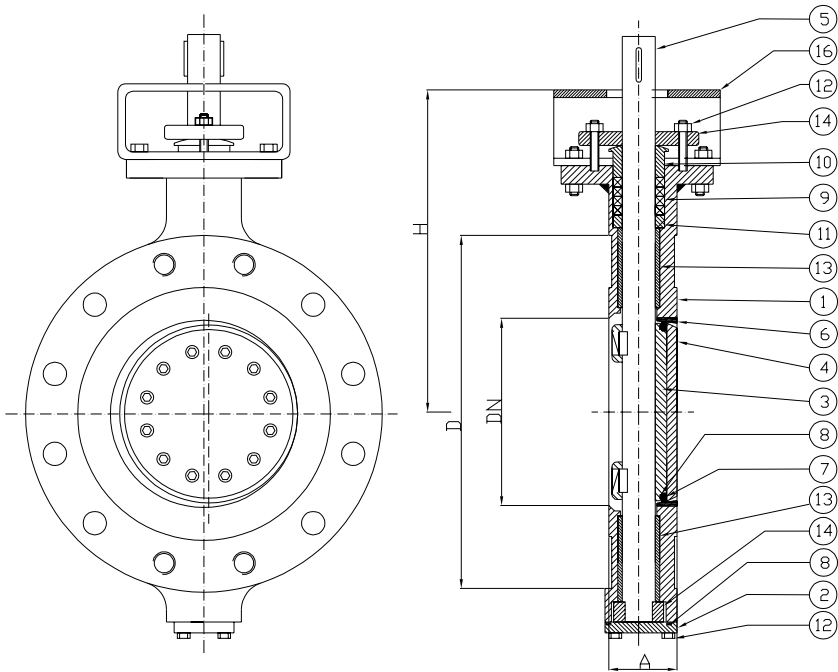
Triple Offset Butterfly Valve

PN 63 DN 80 - DN 800

Lug - single flange type drilling PN 63 or PN 40



Fig. 152L-552L



Standard features:

- Design EN 12516
EN 593 (Fig. 3b)
- Face to face ISO 5752 series 16
EN 558-1 series 16
DIN 3202 K3
- Materials EN 10025
EN 10028
EN 1503
- Bolts and nuts EN 1515-1
- Welding overlay AD-M HP 0
- Testing EN 12266
EN 593
- Marking EN 19
- Certificates EN 10204

Optional versions:

- AD 2000 – A4
- TRD 110
- ATEX compliant
- TA-Luft
- ISO 15848
- With special devices
- All tapped holes (EN 593 Fig. 3d)
- Lightweight lug type (EN 593 Fig. 3a or 3c)