

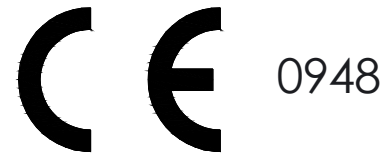
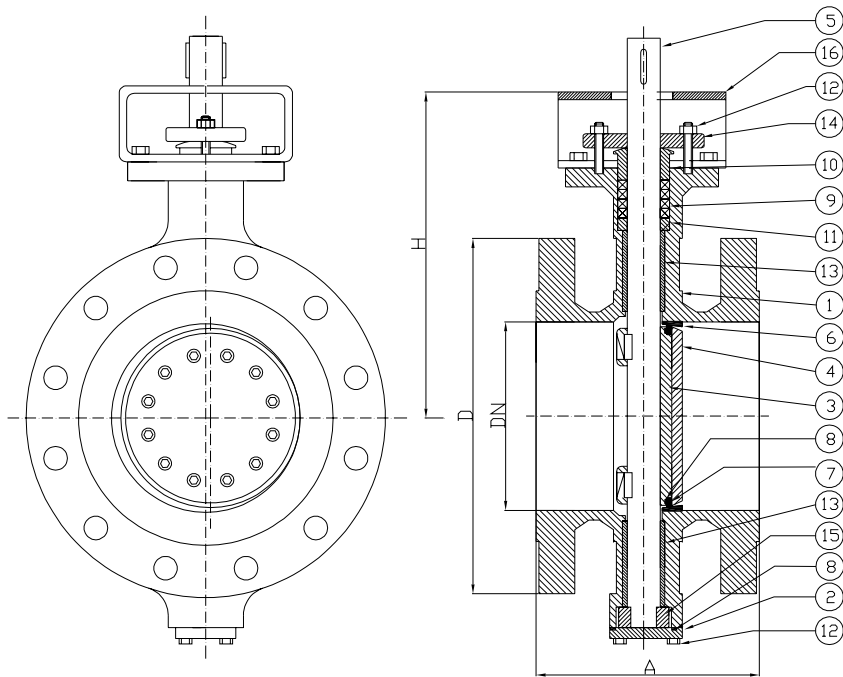
# Triple Offset Butterfly Valve

Class 300 NPS 3" - NPS 32"

Flanges ANSI Class 300



Fig. 153G-553G



## Standard features:

- Design ASME B 16.34  
EN 12516  
EN 593
- Face to face ISO 5752 series 4  
ASME B16.10 Tab.2 Col.10  
EN 558-1 series 4
- Flanges ASME B 16.5 (EN 1759-1)
- Materials ASME B 16.34  
EN 1503
- Bolts and nuts EN 1515-1
- Welding overlay AD-M HP 0
- Testing EN 12266  
API 598
- Marking EN 19
- Certificates EN 10204

## Optional versions:

- AD 2000 – A4
- TRD 110
- ATEX compliant
- TA-Luft
- ISO 15848
- With special devices