

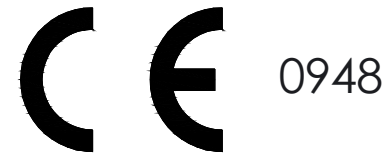
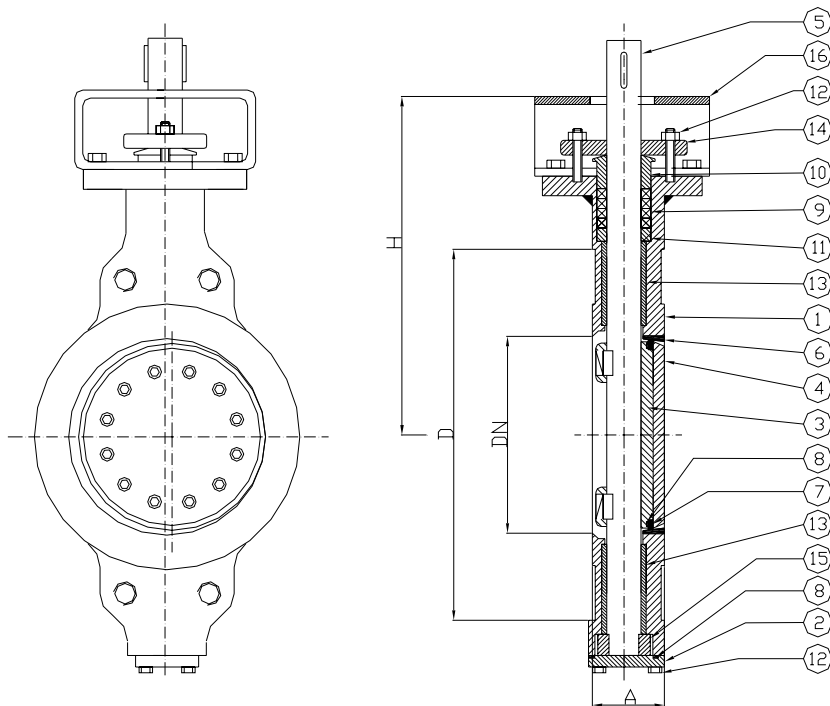
Triple Offset Butterfly Valve

PN 100 DN 80 - DN 350

Wafer type drilling PN 100



Fig. 162W-562W



Standard features:

- Design EN 12516
EN 593
- Face to face API 609 CL 600
- Materials EN 10025
EN 10028
EN 1503
- Bolts and nuts EN 1515-1
- Welding overlay AD-M HP 0
- Testing EN 12266
EN 593
- Marking EN 19
- Certificates EN 10204

Optional versions:

- AD 2000 – A4
- TRD 110
- ATEX compliant
- TA-Luft
- ISO 15848
- With special devices